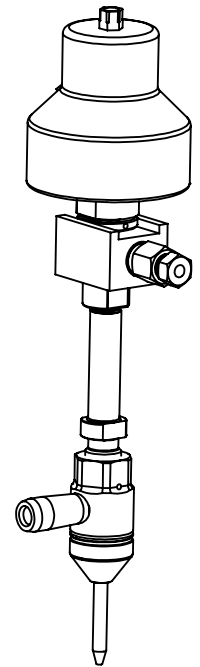
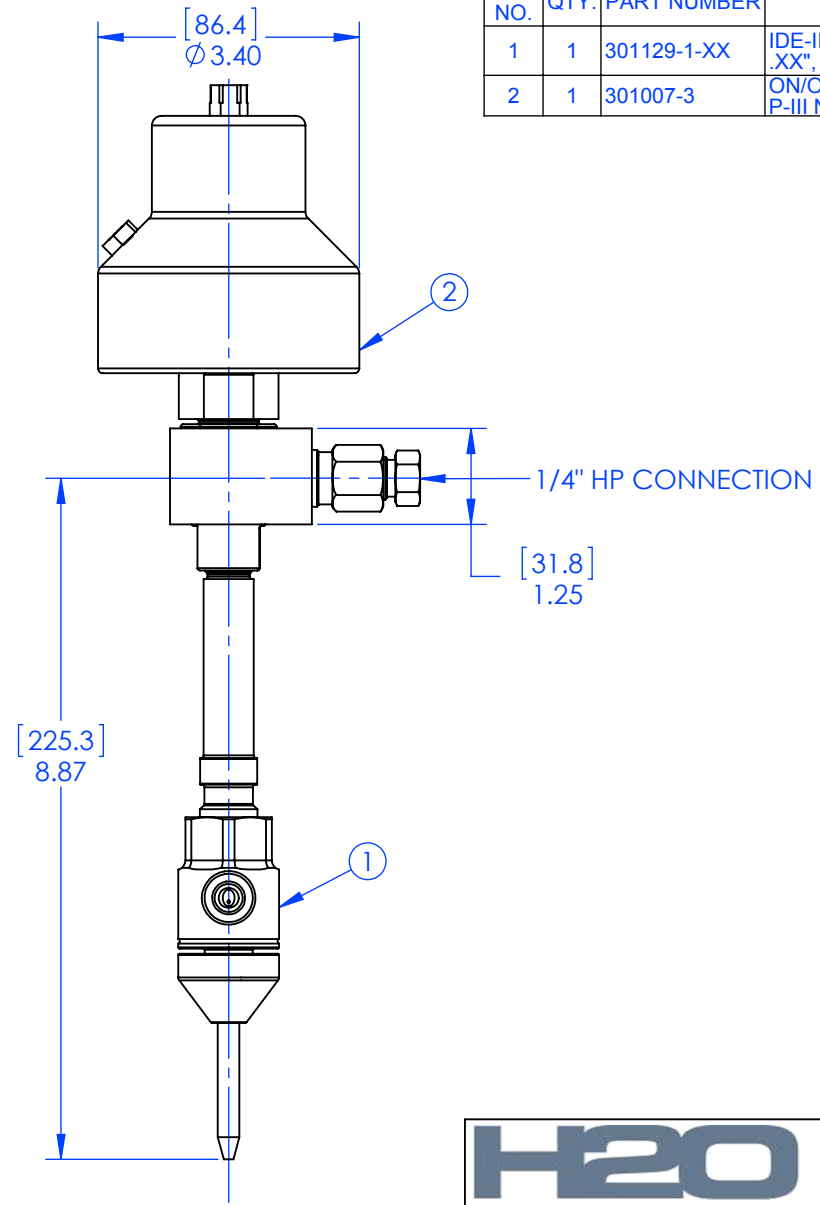
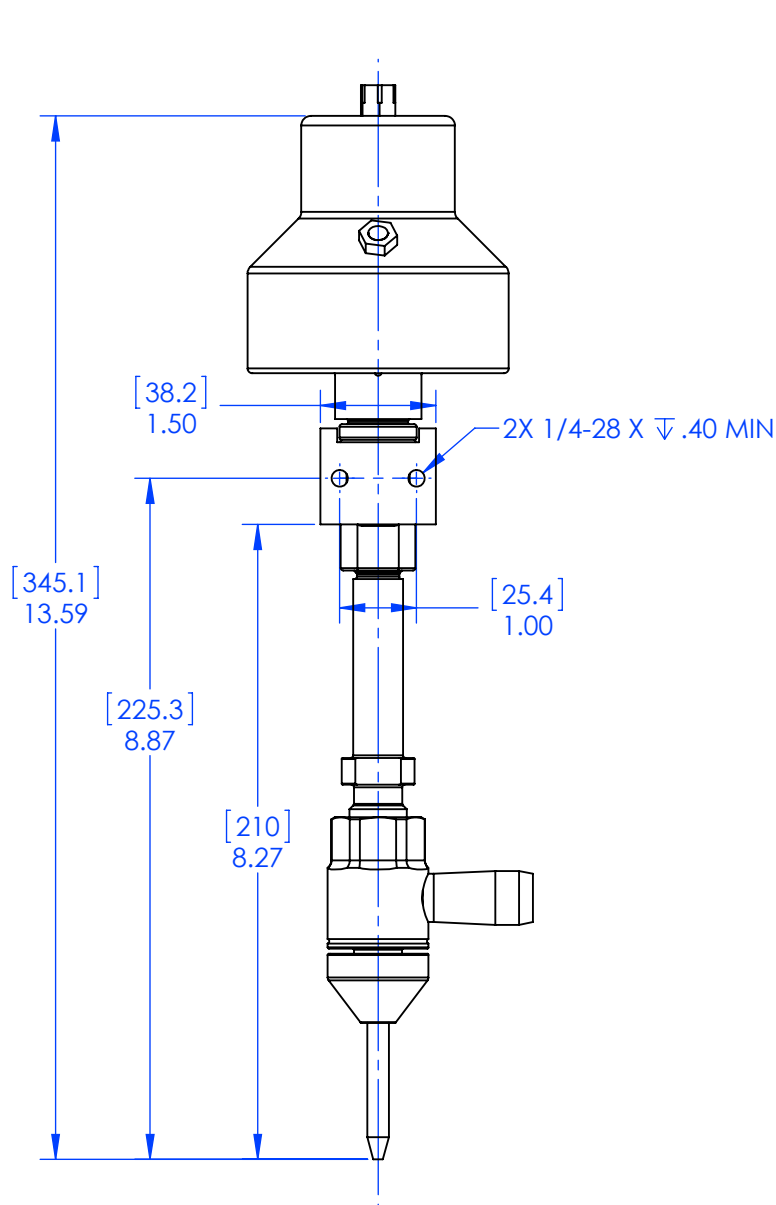


ITEM NO.	QTY.	PART NUMBER	DESCRIPTION
1	1	301129-1-XX	IDE-II, ABRASIVE, SINGLE PORT, XX", (.281" ID)
2	1	301007-3	ON/OFF VALVE ASSEMBLY WITH P-III NOZZLE BODY



H2O JET

DRAWN: M.H. CHECKED: H.A. APPRVD: H.A. SCALE: NTS DATE: 11/3/2011	TITLE: IDE-II CUTTING HEAD ASSEMBLY WITH P-III NOZZLE BODY DWG. NO. 301124-1-XX	REF. NO: - MADE FROM: - REV. 0 SHEET 1 OF 1
---	--	--

PROPRIETARY AND CONFIDENTIAL:
 THE INFORMATION CONTAINED IN THIS DRAWING IS THE SOLE PROPERTY OF H2O JET INC. ANY REPRODUCTION IN PART OR AS A WHOLE WITHOUT THE WRITTEN PERMISSION OF H2O JET INC. IS PROHIBITED.