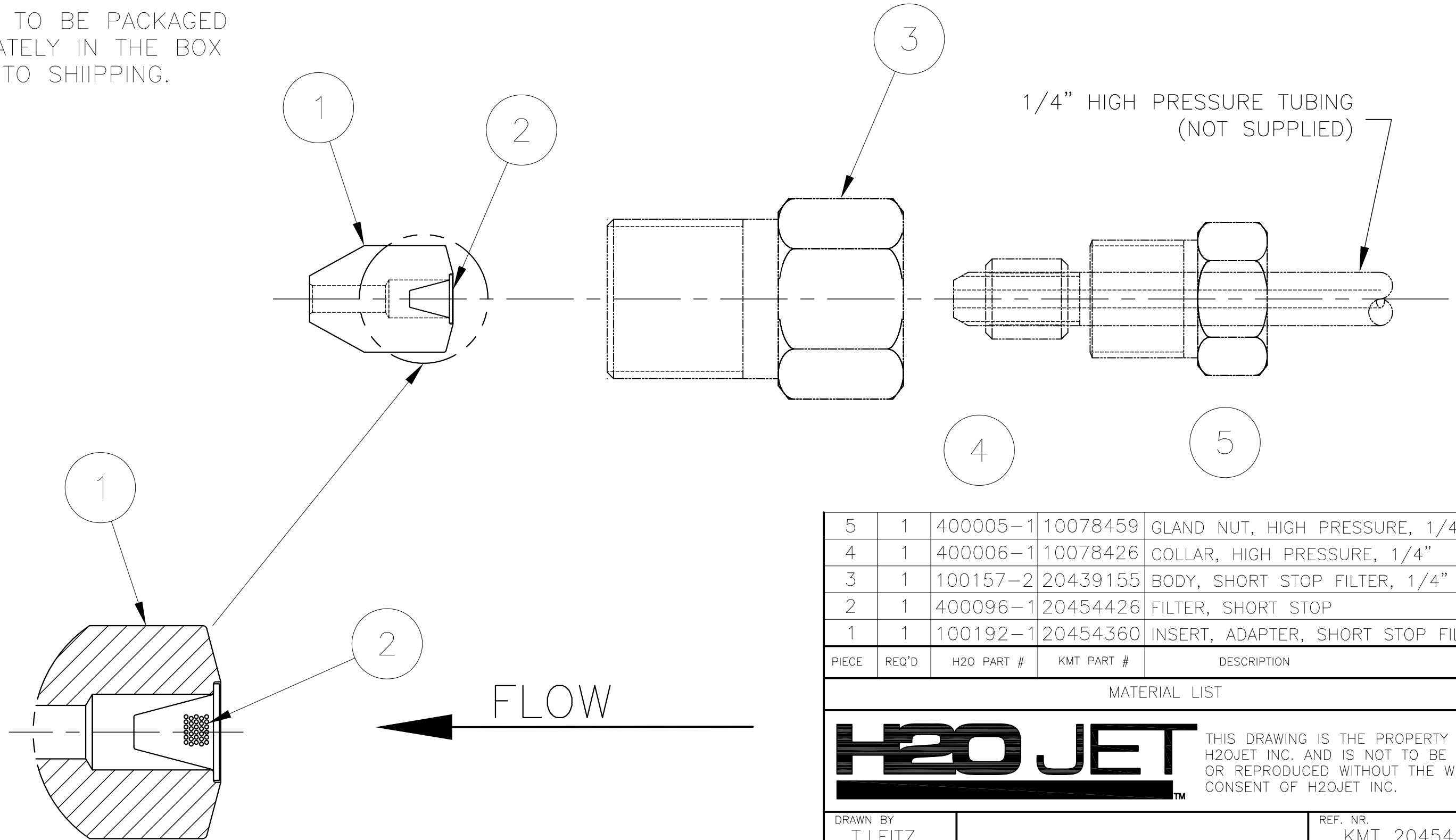


**NOTES:**

- 1. ITEM 2 TO BE PACKAGED SEPERATELY IN THE BOX PRIOR TO SHIPPING.



**DETAIL: FILTER**  
SCALE 4:1

DATE	REV. NR.	REVISION	BY

PIECE	REQ'D	H2O PART #	KMT PART #	DESCRIPTION
5	1	400005-1	10078459	GLAND NUT, HIGH PRESSURE, 1/4"
4	1	400006-1	10078426	COLLAR, HIGH PRESSURE, 1/4"
3	1	100157-2	20439155	BODY, SHORT STOP FILTER, 1/4"
2	1	400096-1	20454426	FILTER, SHORT STOP
1	1	100192-1	20454360	INSERT, ADAPTER, SHORT STOP FILTER

MATERIAL LIST



THIS DRAWING IS THE PROPERTY OF H2OJET INC. AND IS NOT TO BE COPIED OR REPRODUCED WITHOUT THE WRITTEN CONSENT OF H2OJET INC.

DRAWN BY T.LEITZ	ASSEMBLY KIT, FILTER SHORT STOP, COMPLETE 1/4" TUBING	REF. NR. KMT 20454363	
CHECKED BY		FILE NAME 301026-3	
APPROVED BY	DWG SIZE B	DRAWING NUMBER 301026-3	REV 0
SCALE 2:1	DATE 10/22/02	SHEET 1	OF 1