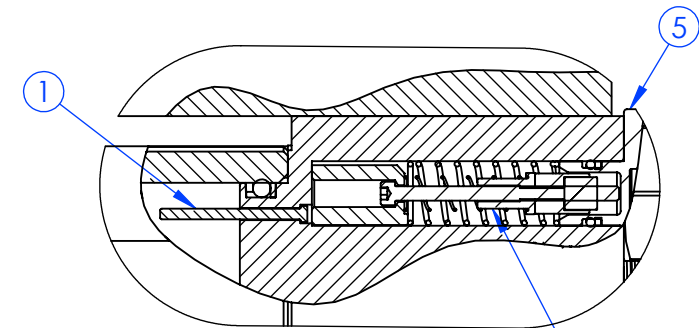
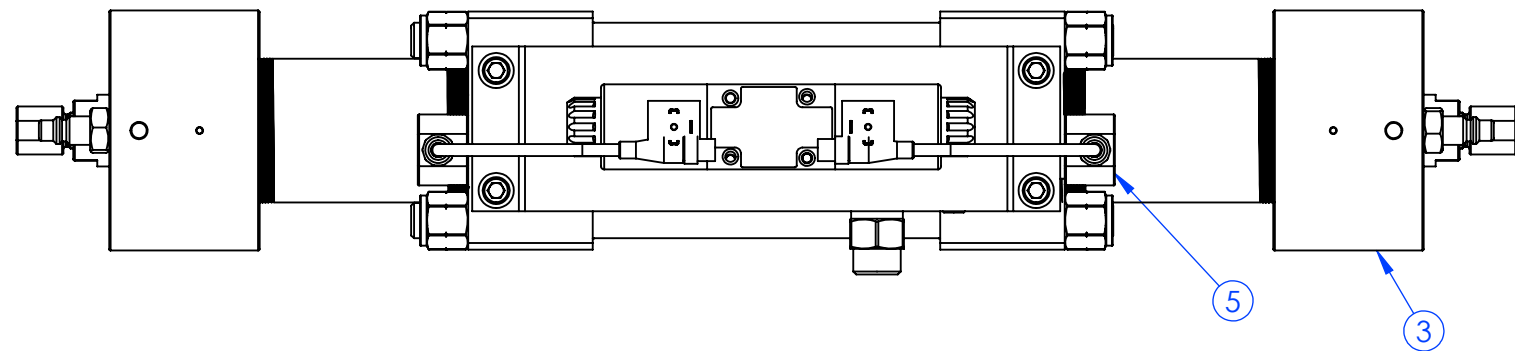
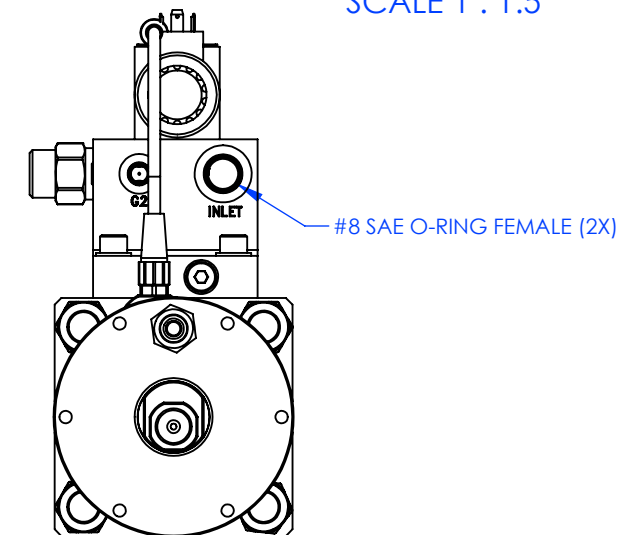
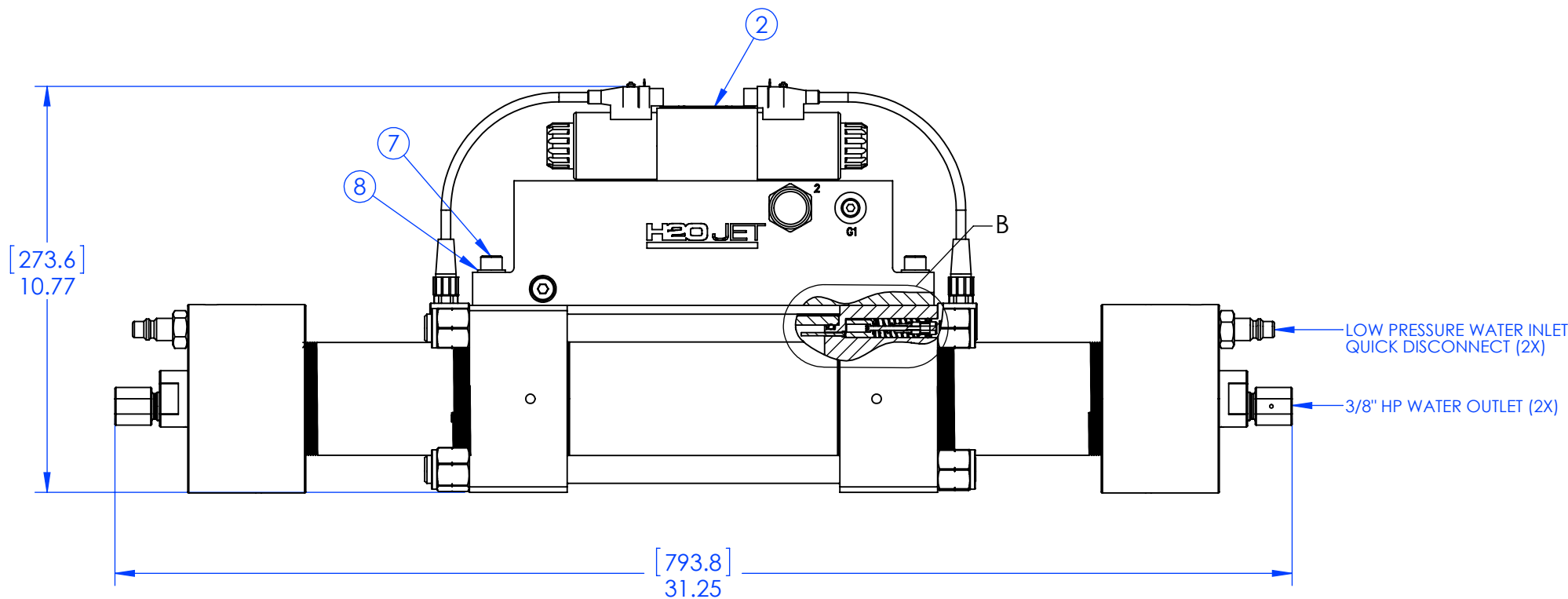


8 7 6 5 4 3 2 1

ITEM NO.	QTY.	PART NUMBER	DESCRIPTION
1	2	100051-2	FIRING PIN, ELECTRONIC SHIFT
2	1	100055-7	MANIFOLD, HYDRAULIC, D03 TOP MOUNT W/RELIEF
3	1	301003-3-3	SHORT BLOCK, INTENSIFIER, 60K, HI-LOAD PISTON, H2O 2PC CHECK VALVE ASSY.
4	2	301011-3-A	SHIFT SENSOR ACTUATOR ASSEMBLY
5	2	301011-3-S	SHIFT SENSOR HOUSING AND CABLE ASSEMBLY
6	4	400085-10-24-1.00	SCREW, SOCKET HEAD CAP, SS, #10-24x1.0"
7	4	400085-375-16-1.25	SCREW, SOCKET HEAD CAP, 3/8-16 X 1.25" LONG, SS
8	4	400105-375	WASHER, FLAT SS, 3/8"



DETAIL B
SCALE 1 : 1.5



ECN #	Date	Rev	Reason for Changes	Drwn By	Chk By	Apvd By

PROPRIETARY AND CONFIDENTIAL: THE INFORMATION CONTAINED IN THIS DRAWING IS THE SOLE PROPERTY OF H2O JET INC. ANY REPRODUCTION IN PART OR AS A WHOLE WITHOUT THE WRITTEN PERMISSION OF H2O JET INC. IS PROHIBITED.

DRAWN: M.H. CHECKED: H.A. APPRVD: H.A. SCALE: NTS DATE: 4/19/2011	TITLE: INTENSIFIER, 60K, D03 ELECT SHIFT, HI-LOAD, H2O POPPET, 10/15HP	REF. NR. - MADE FROM: - REV 0 SHEET 1 OF 1
SIZE: B DWG. NO.: 301020-8-3-HL		

8 7 6 5 4 3 2 1