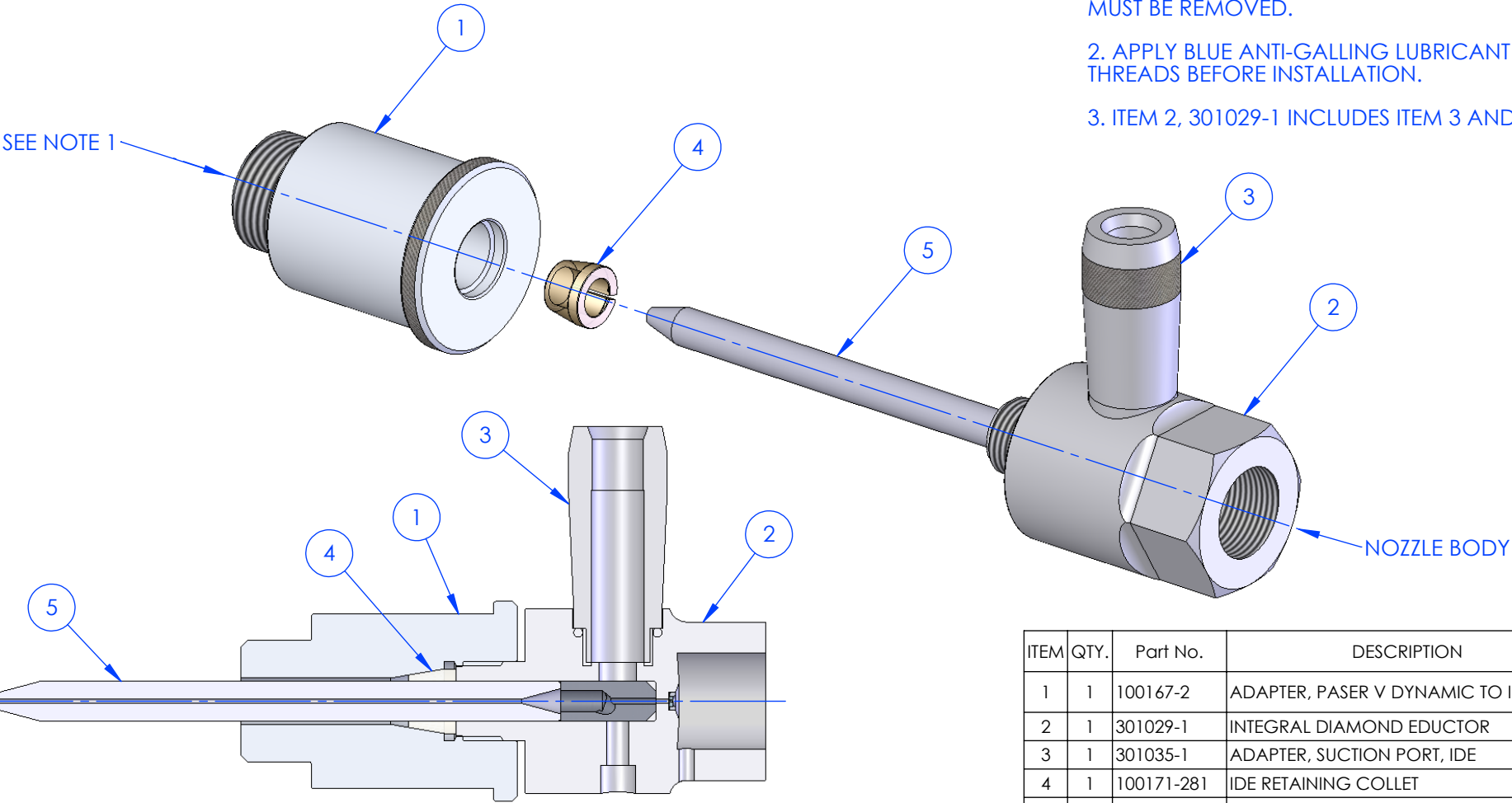


NOTES:

1. THIS END ACCEPTS THE DYNAMIC CONTOUR FOLLOWER. STANDARD COLLET MUST BE REMOVED.

2. APPLY BLUE ANTI-GALLING LUBRICANT TO THREADS BEFORE INSTALLATION.

3. ITEM 2, 301029-1 INCLUDES ITEM 3 AND 4.



SECTION A-A
SCALE 1 : 1.125

ITEM	QTY.	Part No.	DESCRIPTION
1	1	100167-2	ADAPTER, PASER V DYNAMIC TO IDE
2	1	301029-1	INTEGRAL DIAMOND EDUCTOR
3	1	301035-1	ADAPTER, SUCTION PORT, IDE
4	1	100171-281	IDE RETAINING COLLET
5	1	100100-XX-4	ABRASIVE NOZZLE, 4" LONG



PROPRIETARY AND CONFIDENTIAL:
THE INFORMATION CONTAINED IN THIS DRAWING IS THE SOLE PROPERTY OF H2O JET INC. ANY REPRODUCTION IN PART OR AS A WHOLE WITHOUT THE WRITTEN PERMISSION OF H2O JET INC. IS PROHIBITED.

DRAWN: M.H.

CHECKED: J.N.

APPRVD: H.A.

SCALE: 1:1.125

DATE: 4/13/07

TITLE:
**ADAPTER, PASER V TO H2O
IDE, DYNAMIC CONTOUR
FOLLOWER OPTION**

SIZE DWG. NO.
A 100167-2-INSTALL

REF. NO:

MADE FROM:

REV. SHEET
0 1 OF 1

Ecn #	DATE	Rev	REASON FOR CHANGES	Drwn	Chk	Appvd