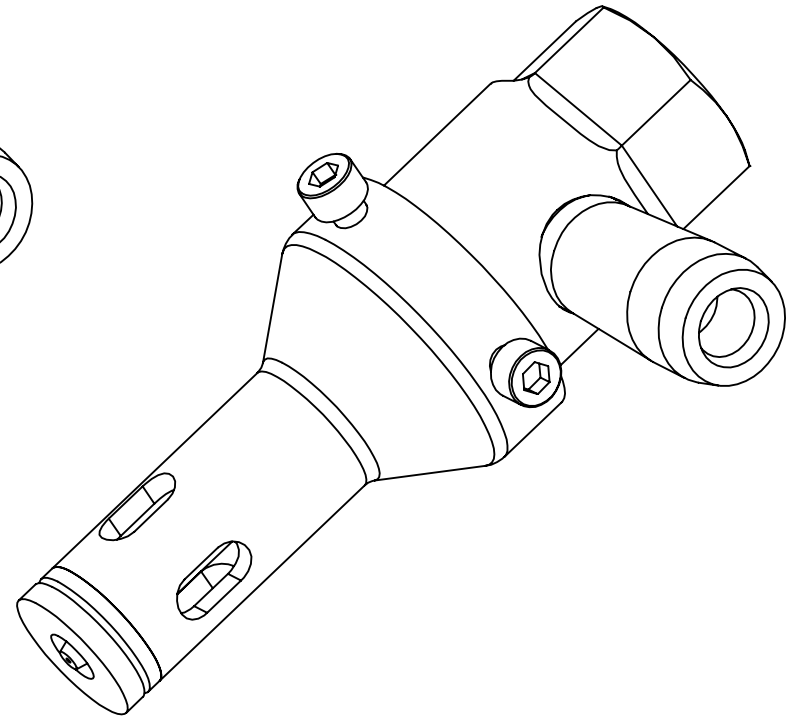
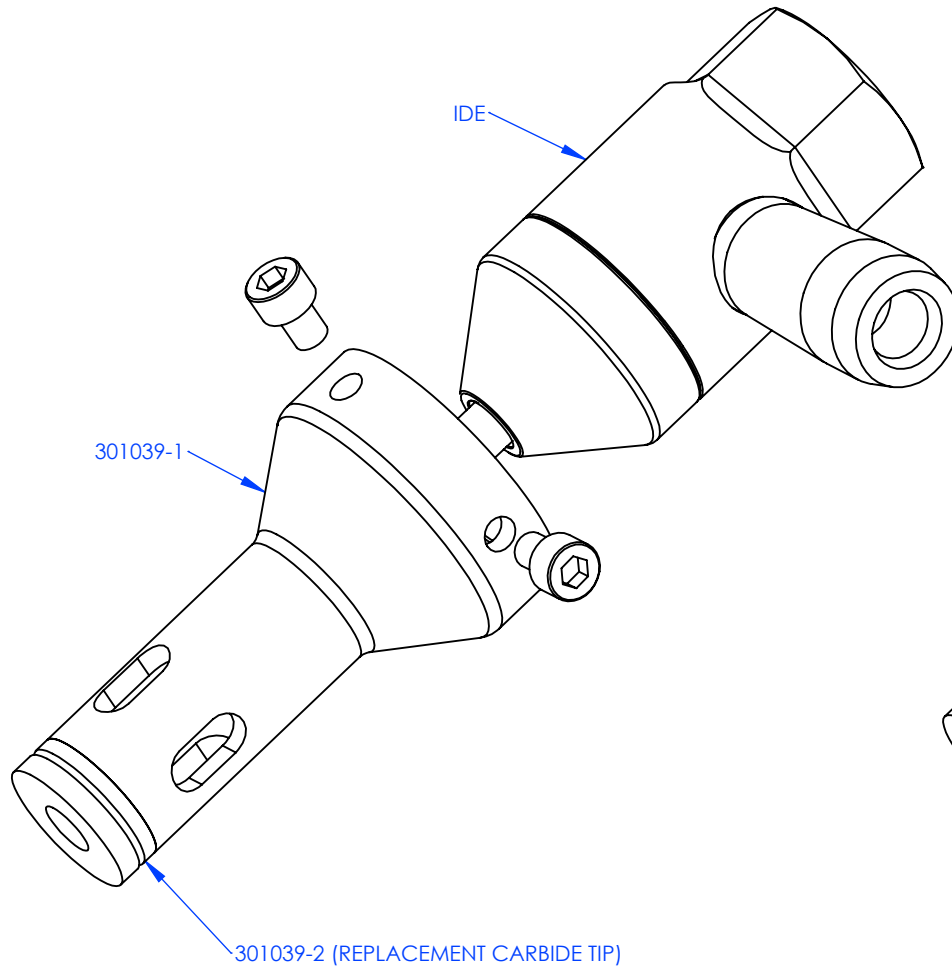


EXPLODED VIEW

ASSEMBLED VIEW



NOTES:
1. IDE SOLD SEPERATELY



ECN #	Date	Rev	Reason for Changes	Drwn By	Chk By	Apvd By

PROPRIETARY AND CONFIDENTIAL:
THE INFORMATION CONTAINED IN THIS DRAWING IS THE SOLE PROPERTY OF H2O JET INC. ANY REPRODUCTION IN PART OR AS A WHOLE WITHOUT THE WRITTEN PERMISSION OF H2O JET INC. IS PROHIBITED.

UNLESS OTHERWISE SPECIFIED:
DIMENSIONS IN INCHES AND DEGREES. DIAMETERS ON A COMMON CENTERLINE TO BE TRUE POSITION WITHIN .010. REMOVE BURRS AND BREAK SHARP CORNERS AND FILLET RADII .030 MAXIMUM.

ALL MACHINED SURFACES TO TOLERANCES PER ANSI Y14.5.
DIMENSIONAL X.XXX ±.005
X.XX ±.010
X.X ±.030
ANGULAR X.X ±.5
X ±1

DRAWN: M.H.
CHECKED: J.N.-
APPRVD: H.A.
SCALE: 1:1
DATE: 6/2/2008

TITLE:
NOZZLE GUARD, IDE, REPLACEABLE TIP

SIZE A **DWG. NO.**
301039-1-CUSTOMER

REF. NO:
-

MADE FROM:
-

REV. C **SHEET**
1 OF 1