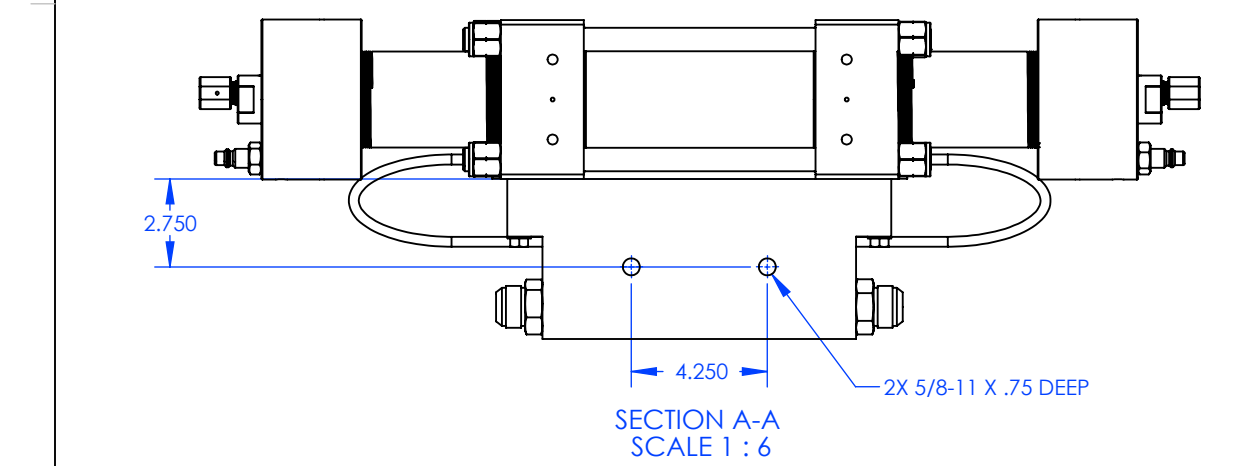
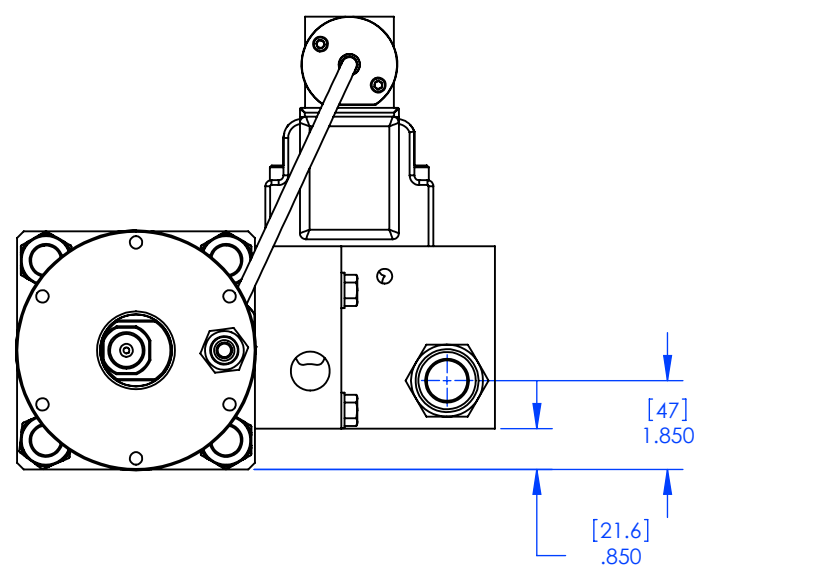
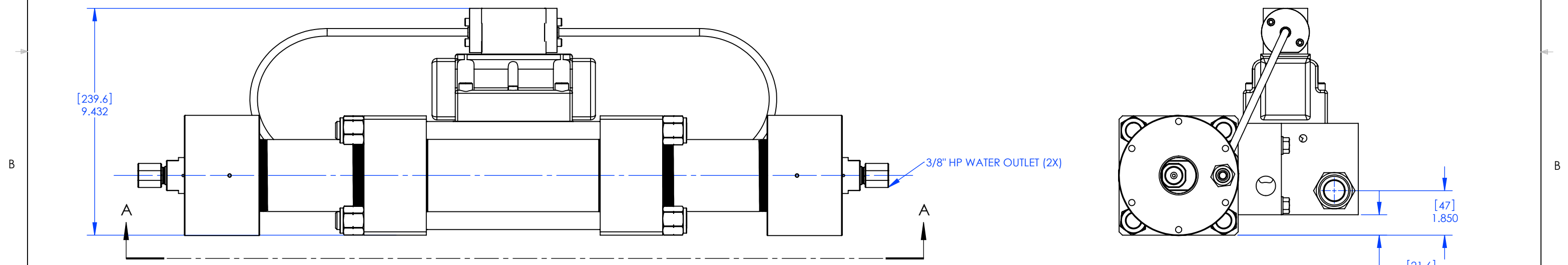
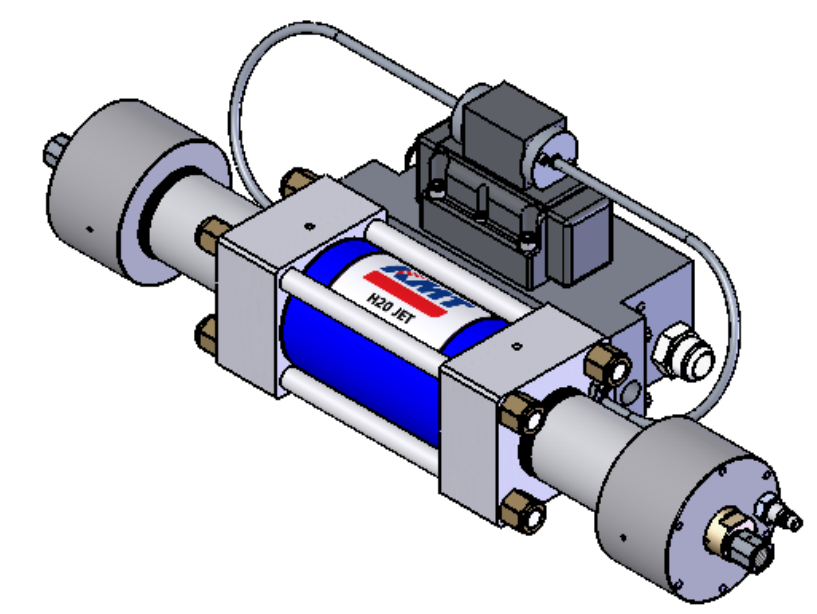
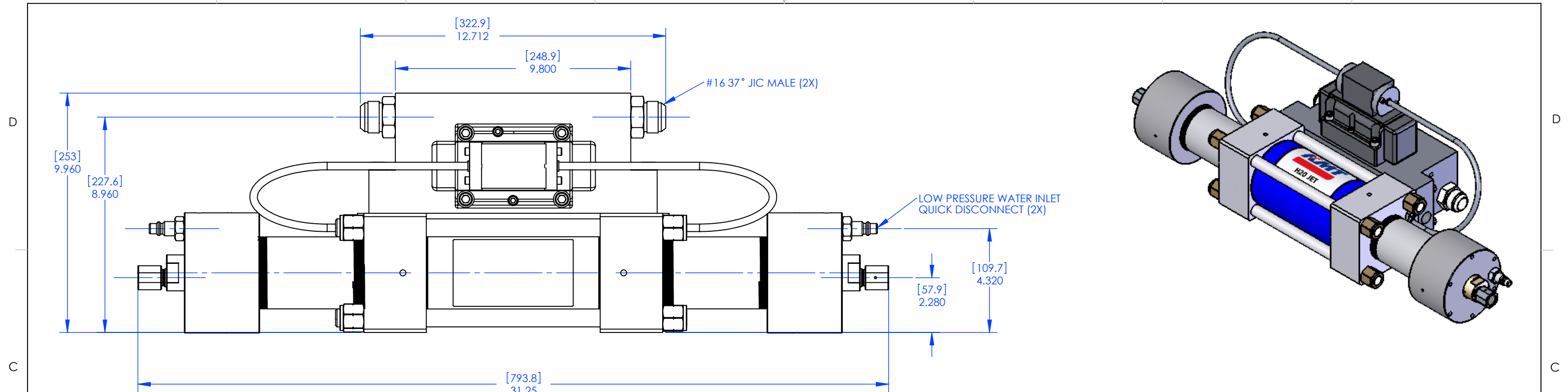


8 7 6 5 4 3 2 1



**PROPRIETARY AND CONFIDENTIAL:** THE INFORMATION CONTAINED IN THIS DRAWING IS THE SOLE PROPERTY OF H2O JET INC. ANY REPRODUCTION IN PART OR AS A WHOLE WITHOUT THE WRITTEN PERMISSION OF H2O JET INC. IS PROHIBITED.

ECN #	Date	Rev	Reason for Changes	Drwn By	Chk By	Apvd By



DRAWN: M.H.	TITLE: INTENSIFIER ASSEMBLY, 60K, MECHANICAL SHIFT, H2O 2PC CHECK VALVE ASSY, HI-LOAD PISTON	REF. NR. -
CHECKED: J.N.		MADE FROM: -
APPRVD: H.A.		
SCALE: 1:4	SIZE DWG. NO. B 301020-1-3-HL	REV SHEET 0 1 OF 1
DATE: 3/10/2008		

8 7 6 5 4 3 2 1