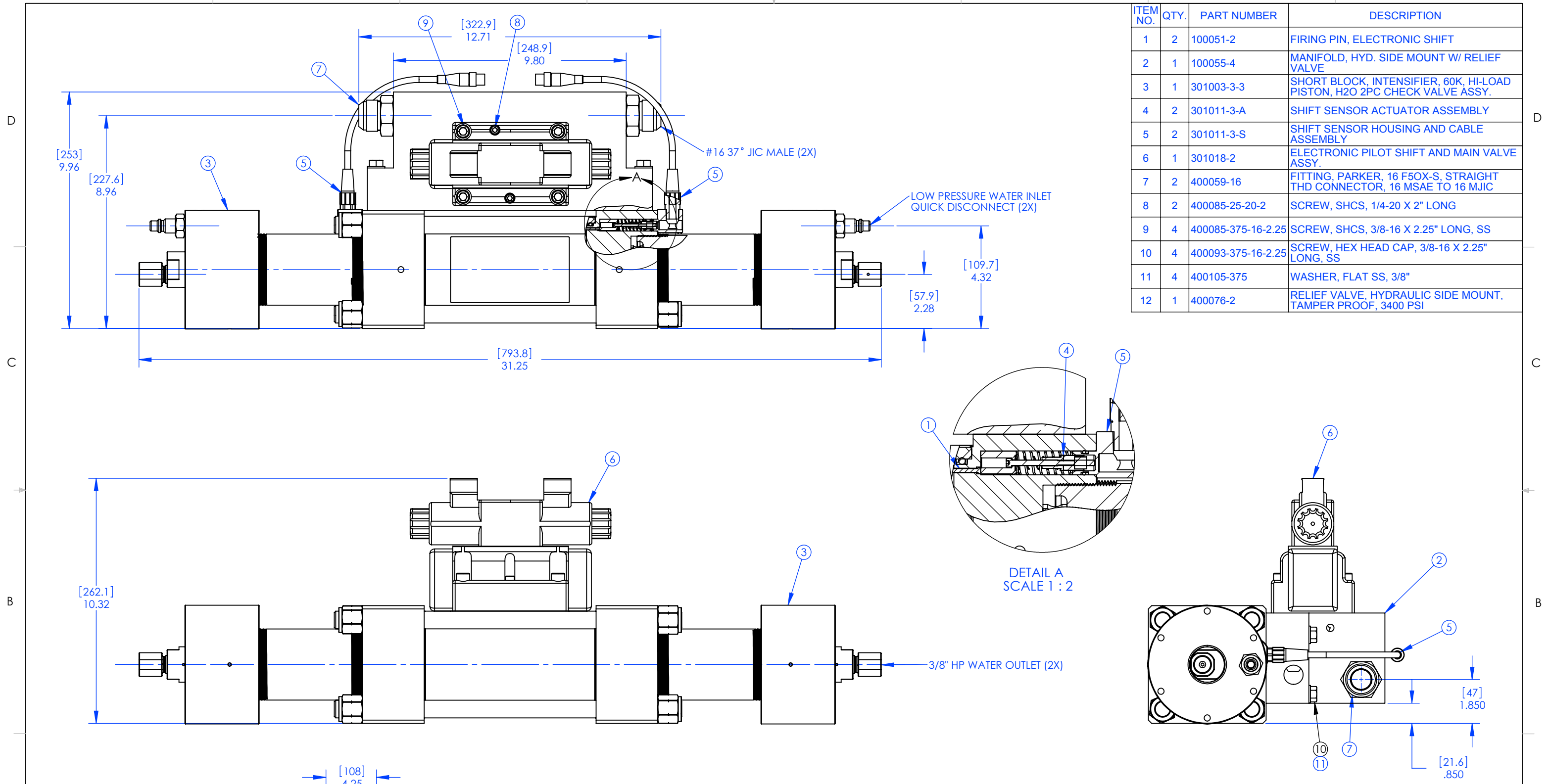


8 7 6 5 4 3 2 1



ITEM NO.	QTY.	PART NUMBER	DESCRIPTION
1	2	100051-2	FIRING PIN, ELECTRONIC SHIFT
2	1	100055-4	MANIFOLD, HYD. SIDE MOUNT W/ RELIEF VALVE
3	1	301003-3-3	SHORT BLOCK, INTENSIFIER, 60K, HI-LOAD PISTON, H2O 2PC CHECK VALVE ASSY.
4	2	301011-3-A	SHIFT SENSOR ACTUATOR ASSEMBLY
5	2	301011-3-S	SHIFT SENSOR HOUSING AND CABLE ASSEMBLY
6	1	301018-2	ELECTRONIC PILOT SHIFT AND MAIN VALVE ASSY.
7	2	400059-16	FITTING, PARKER, 16 F50X-S, STRAIGHT THD CONNECTOR, 16 MSAE TO 16 MJIC
8	2	400085-25-20-2	SCREW, SHCS, 1/4-20 X 2" LONG
9	4	400085-375-16-2.25	SCREW, SHCS, 3/8-16 X 2.25" LONG, SS
10	4	400093-375-16-2.25	SCREW, HEX HEAD CAP, 3/8-16 X 2.25" LONG, SS
11	4	400105-375	WASHER, FLAT SS, 3/8"
12	1	400076-2	RELIEF VALVE, HYDRAULIC SIDE MOUNT, TAMPER PROOF, 3400 PSI

PROPRIETARY AND CONFIDENTIAL: THE INFORMATION CONTAINED IN THIS DRAWING IS THE SOLE PROPERTY OF H2O JET INC. ANY REPRODUCTION IN PART OR AS A WHOLE WITHOUT THE WRITTEN PERMISSION OF H2O JET INC. IS PROHIBITED.

ECN #	Date	Rev	Reason for Changes	Drwn By	Chk By	Apvd By



DRAWN: M.H.	TITLE: INTENSIFIER ASSEMBLY, 60K, ELECTRONIC SHIFT, H2O 2PC CHECK VALVE ASSY, HI-LOAD PISTON	REF. NR. -
CHECKED: J.N.	MADE FROM: -	REV SHEET 0 1 OF 1
APPRVD: H.A.	SIZE DWG. NO. B 301020-3-3-HL	
SCALE: 1:4	DATE: 3/10/2008	

8 7 6 5 4 3 2 1