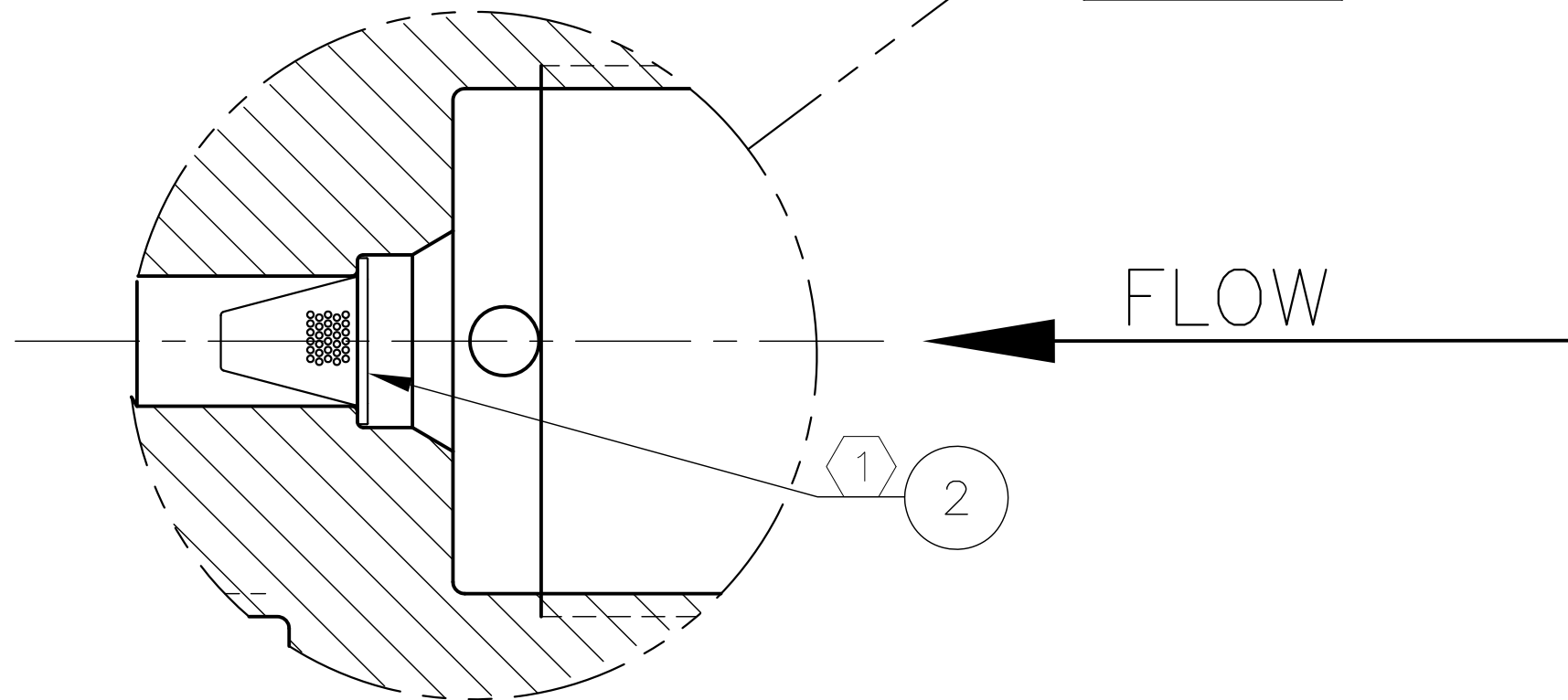
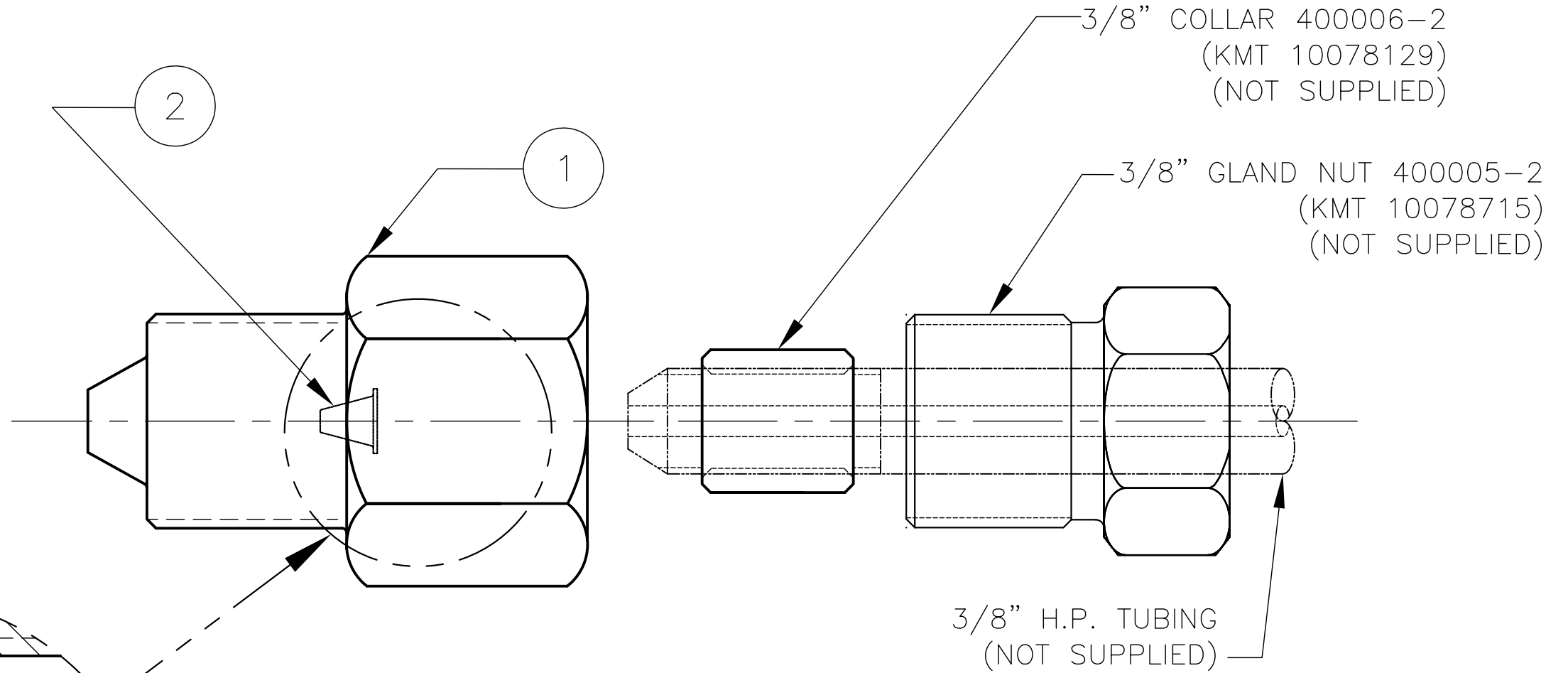


NOTES:

① ITEM 2 TO BE PACKAGED SEPARATELY IN THE BOX PRIOR TO SHIPMENT.



DETAIL: FILTER  
SCALE 4:1

2	1	400096-1	20454426	FILTER, SHORT STOP
1	1	100157-1	20454288	BODY, ADAPTER, SHORT STOP FILTER
PIECE	REQ'D	H2O PART #	KMT PART #	DESCRIPTION

MATERIAL LIST



THIS DRAWING IS THE PROPERTY OF H2OJET INC. AND IS NOT TO BE COPIED OR REPRODUCED WITHOUT THE WRITTEN CONSENT OF H2OJET INC.

DATE	REV. NR.	REVISION	BY

DRAWN BY T.LEITZ	ASSEMBLY, FILTER SHORT STOP 3/8" TUBING	REF. NR. KMT 20454366
CHECKED BY		FILE NAME 301026-2-A
APPROVED BY	DWG SIZE B	REV A
SCALE 2:1	DRAWING NUMBER 301026-2	SHEET 1
DATE 10/22/02		OF 1